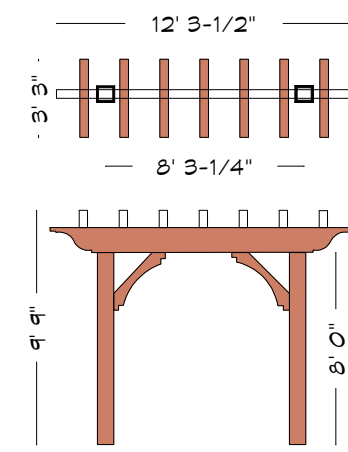
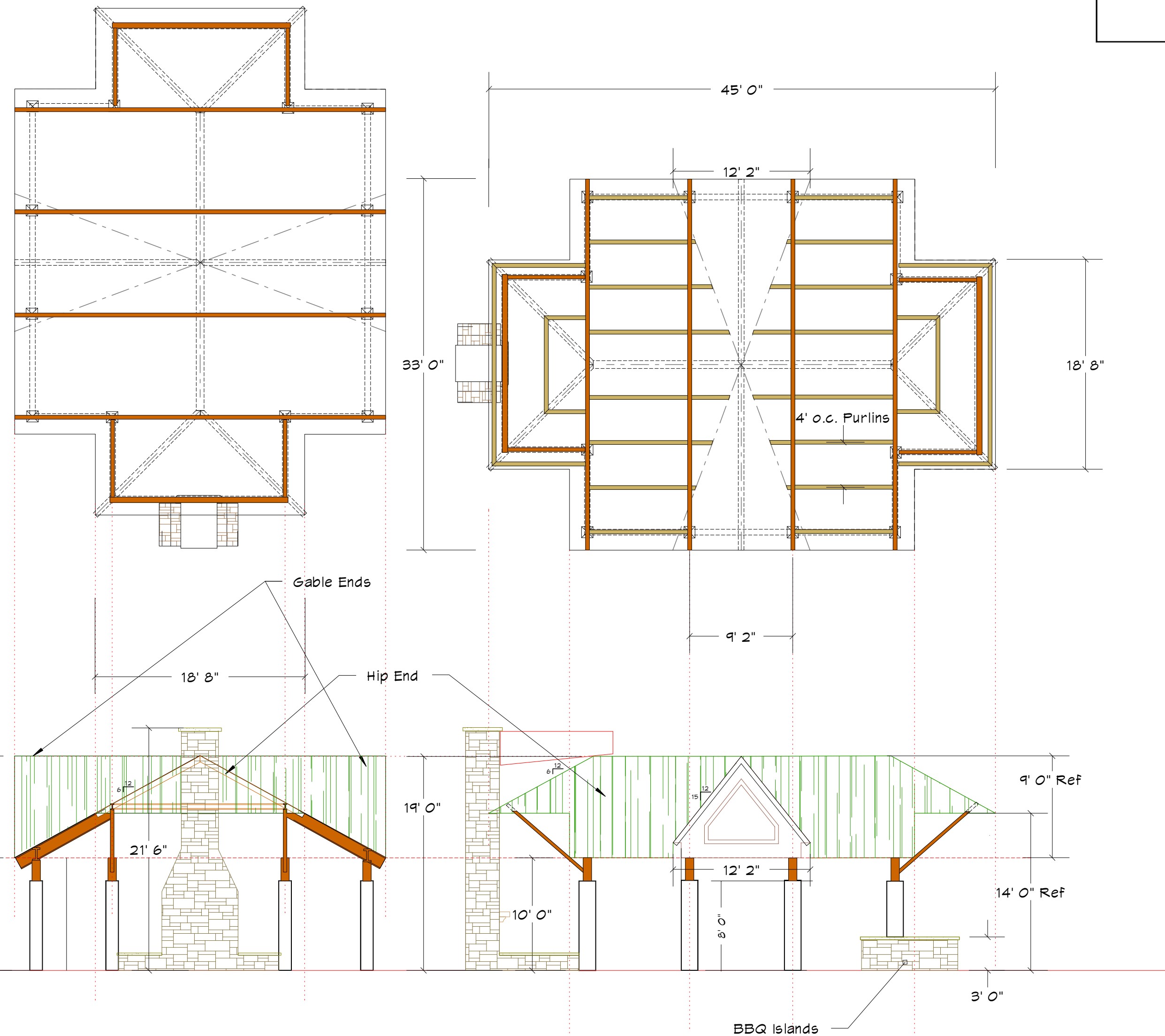


**ELEVATION & DETAIL  
MASONRY FIREPLACE  
LARGE W/ 42" FIREBOX**

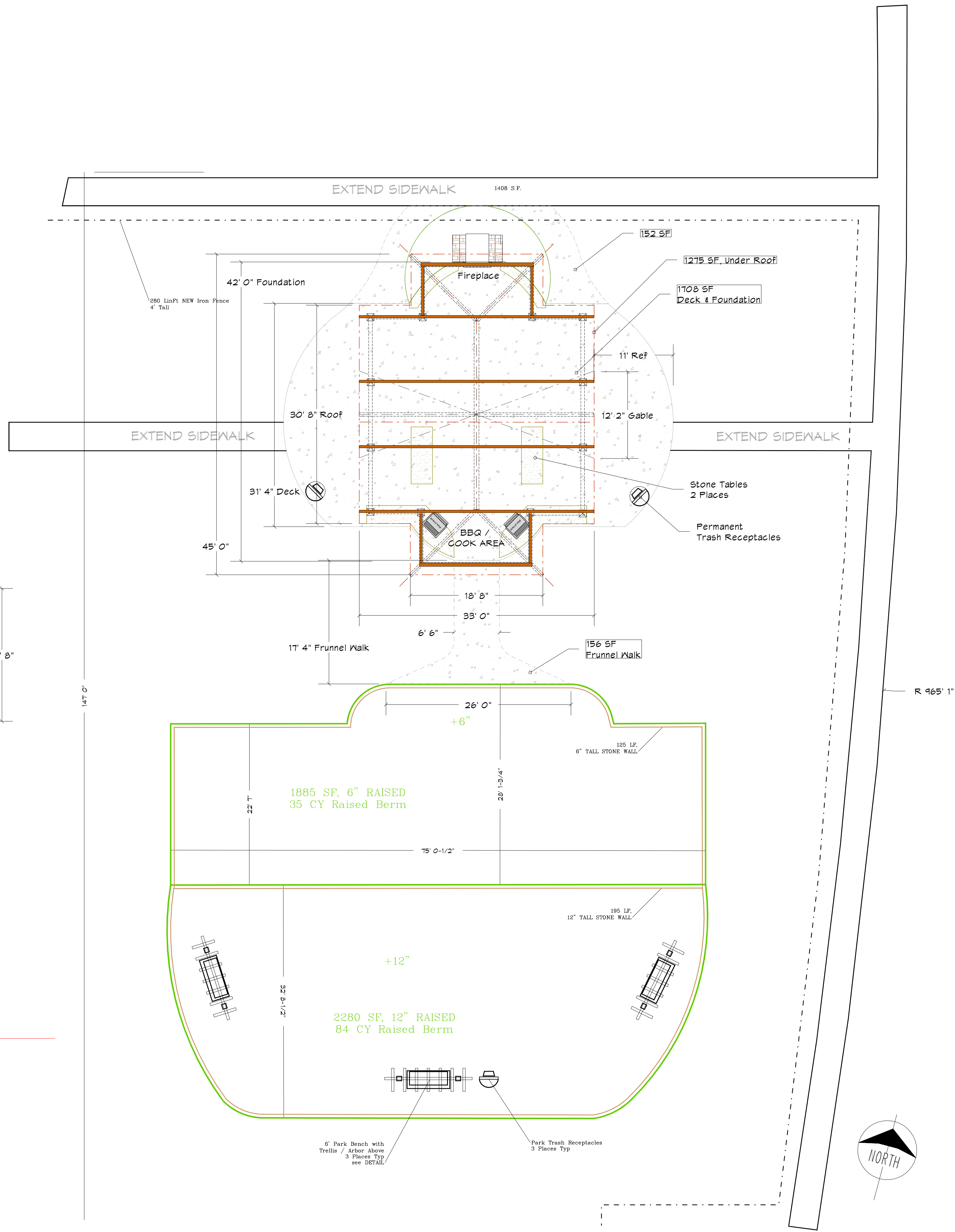


**ELEVATION & DETAIL  
BENCH TRELLIS  
3 PLACES, Typ**



**ELEVATION & DETAIL  
NORTH ELEVATION VIEW**

**ELEVATION & DETAIL  
WEST ELEVATION VIEW  
(View from Pool)**



**ELEVATION, EXISTING POOL HOUSE  
WEST ELEVATION VIEW**

Customer: GRIFFIN PARK HOA
Address: 11495 Altamont Drive, Frisco TX
Survey Lot Desc: LOT: BLK: Subdv:
Project: Outdoor Living- Event Center
Revision #: 18-May-2012
<b>Revision History</b>
Ref Plan: Original Release 30-DEC-2010
Rev2 dd-mmm-yyyy Description
Rev3 dd-mmm-yyyy Description
Scale: 1/4" = 1' 0"
DrawnBy: HerDM
Dwg #GriffinPark_RecCenter_DETAIL_R05.18.12.5K
Sales Lead: Craig Kooda
Project Notes:

